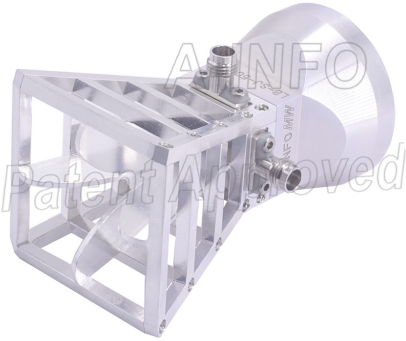


For reference only. See data sheet for the detailed specifications.

## Technical Specification



Frequency Range(GHz)	5.0 - 50.0
Gain(dBi)	12 Typ.
Polarization	Dual Linear
3dB Beamwidth(deg)	E Plane: 111 - 20
	H Plane: 109 - 12
Cross Pol. Isolation(dB)	30 Typ. ; 20 Min.
Port to Port Isolation(dB)	30 Typ. ; 20 Min.
VSWR	1.5:1 Typ.
	3.0:1 Max.
Connector	2.4mm-Female or 1.85mm-Female
Power Handling(W CW)	2.4mm-Female: 10 Max.
	1.85mm-Female: 5 Max.
Material	Al
Finish	Chemical Conversion Coating
Size(mm)	44.5 x 44.5 x 77.6
Net Weight(Kg)	0.10 Around

**PATENT ID (USA)**

**US D983773**

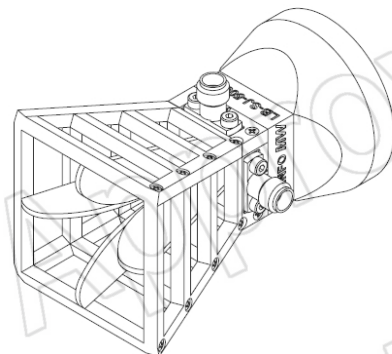
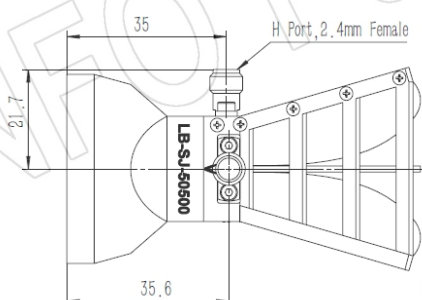
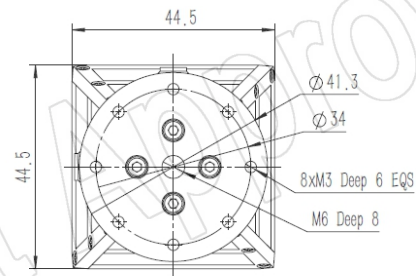
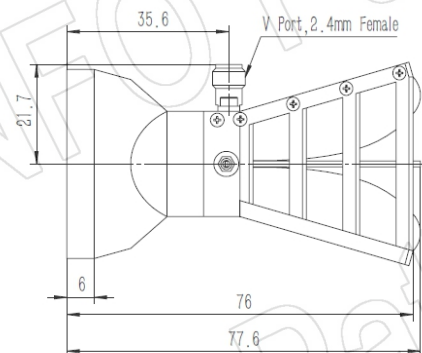
**PATENT ID (China)**

**ZL201920223566.9, ZL202030088178.2**

## Outline Drawing (Size: mm)

2.4mm-Female Output (P/N: LB-SJ-50500-2.4F)

For 1.85mm-Female output outline drawing, please contact A-INFO.



**AINFO Inc.**

China(Beijing):  
China(Chengdu):  
USA :

Tel: (+86) 10-6266-7326,  
Tel: (+86) 28-8519-2786,  
Tel: (+1) 949-639-9688,

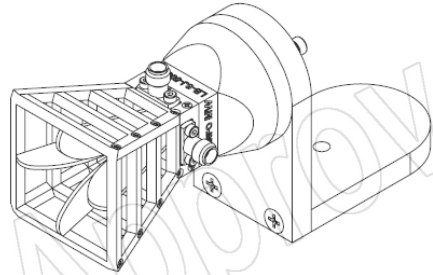
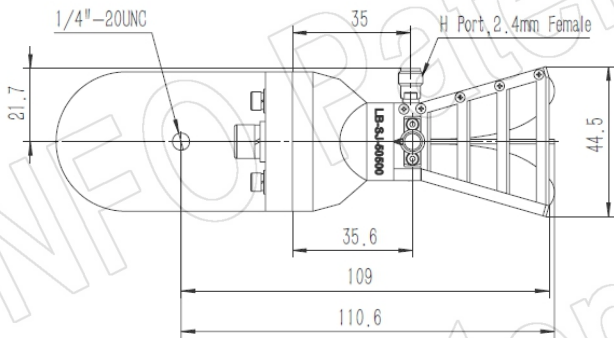
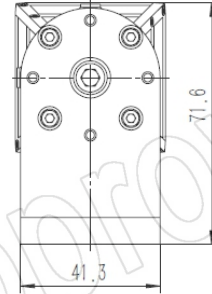
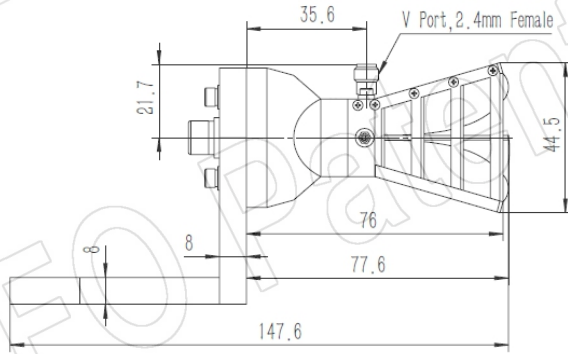
(+86) 10-6266-7327  
(+86) 28-8519-3044  
(+1) 949-639-9608

Fax: (+86) 10-6266-7379  
Fax: (+86) 28-8519-3068  
Fax: (+1) 949-639-9670

Website: [www.ainfoinc.com](http://www.ainfoinc.com)  
Email: [sales@ainfoinc.com](mailto:sales@ainfoinc.com)

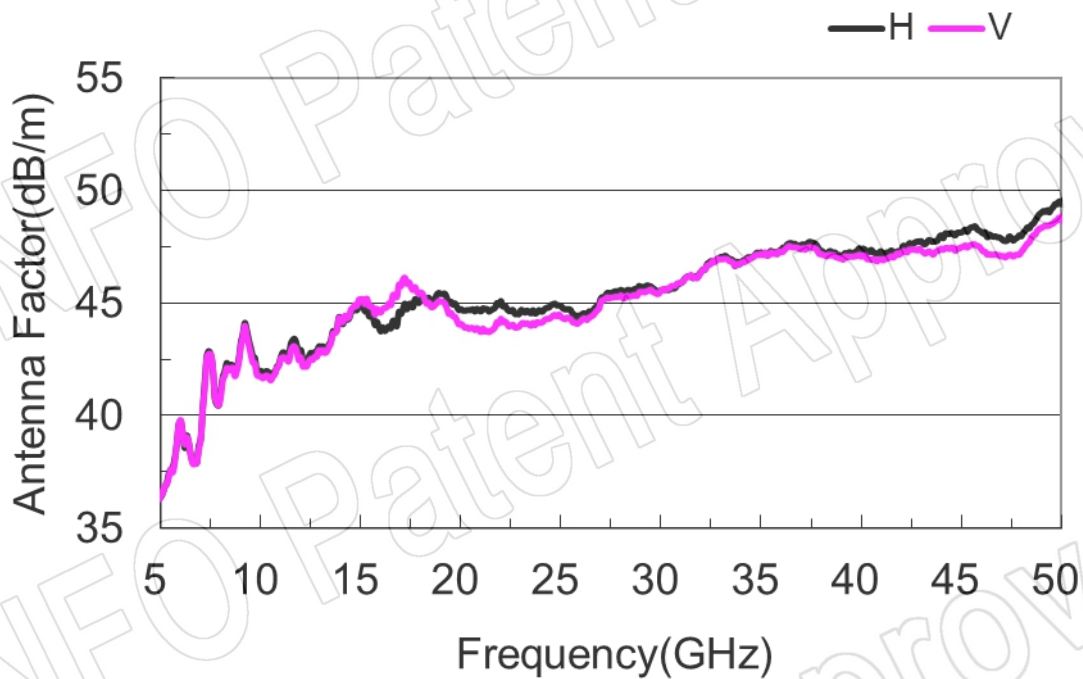
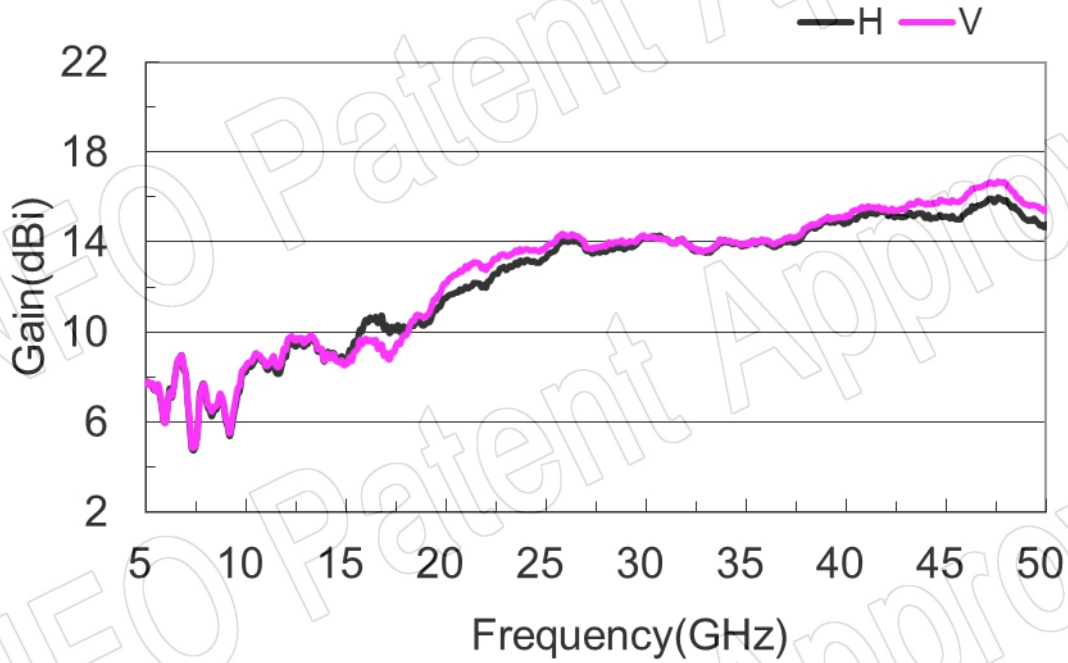
## 2.4mm-Female Output with L Type Mounting Bracket (Option, P/N: LB-20180-L)

For 1.85mm-Female output outline drawing, please contact A-INFO.

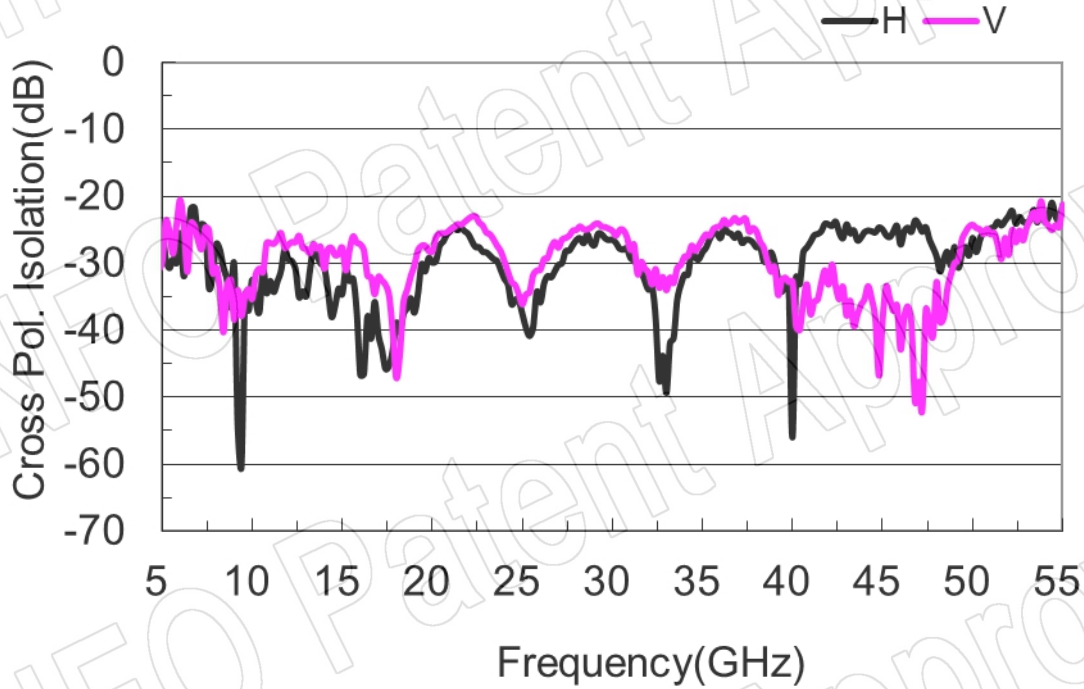


## Test Results

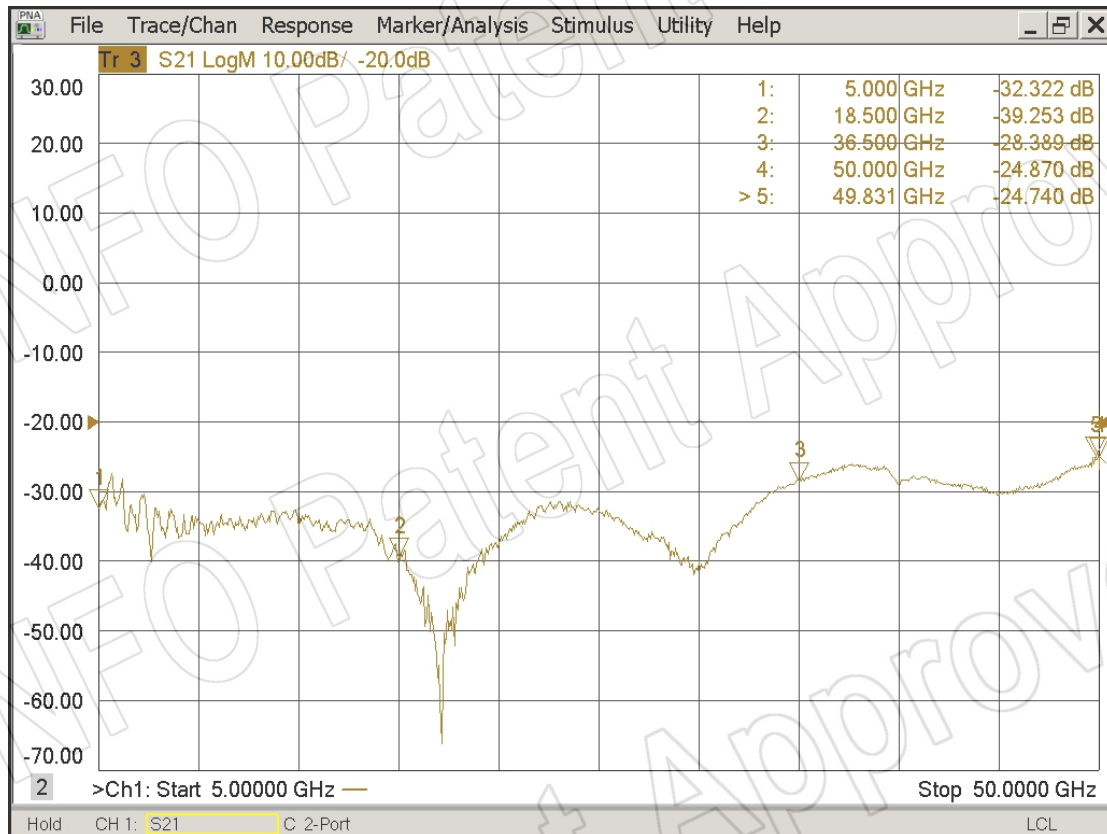
### 1. Gain & Antenna Factor



## 2. Cross Polarization Isolation

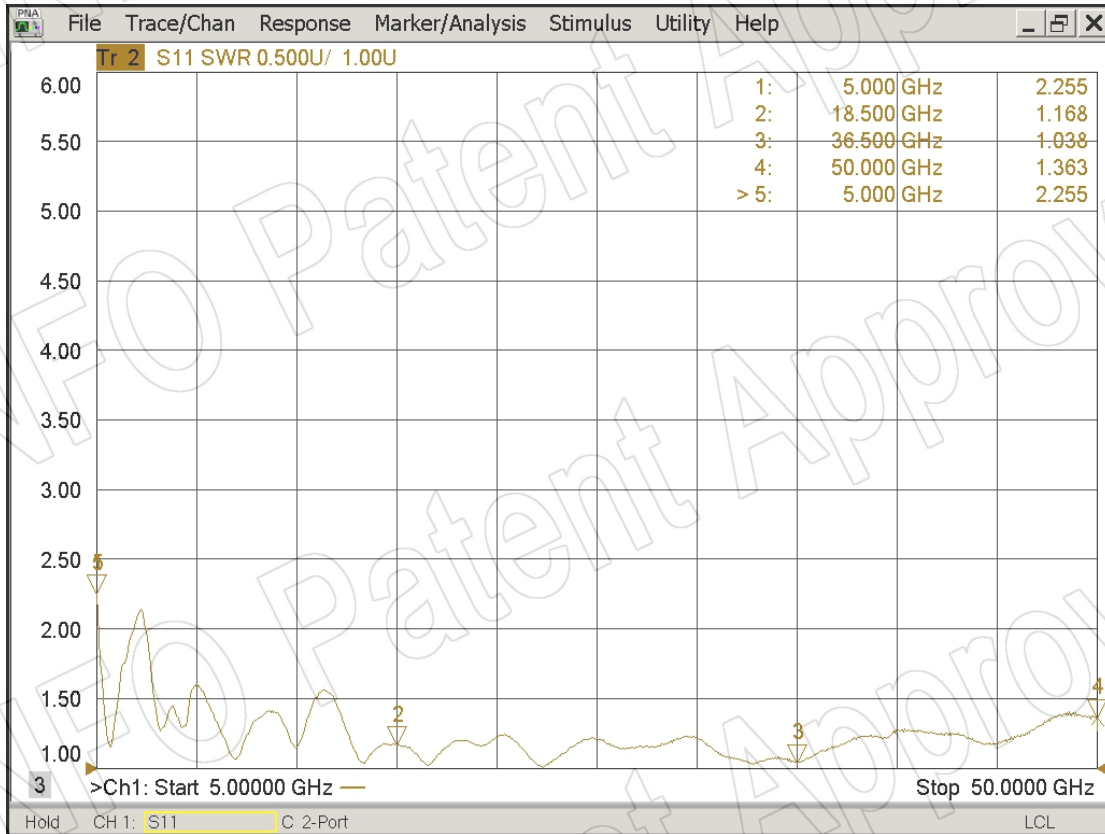


## 3. Port to Port Isolation

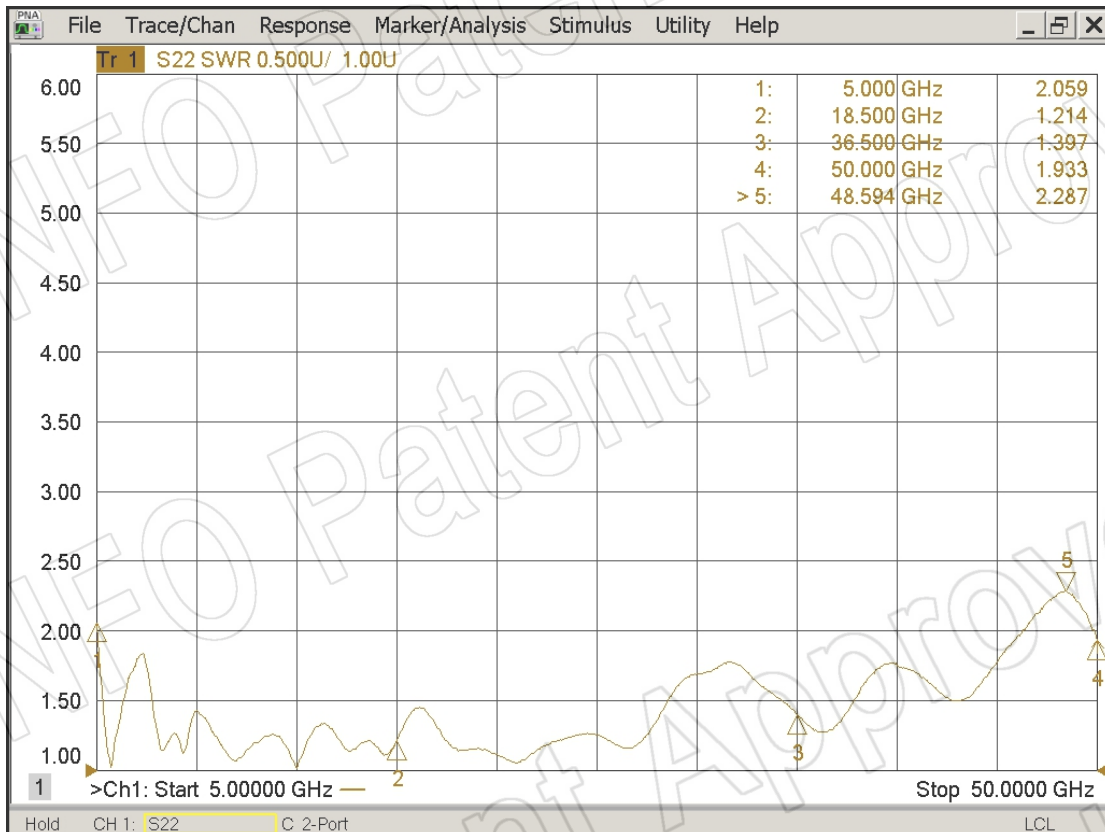


## 4. VSWR

### Port-H



### Port-V



## 5. Pattern

